

Angle Bracket

Select multi-slotted RAB models for maximum sensor adjustment without shimming and machinery modifications, or specify AB type brackets that limit adjustment potential.

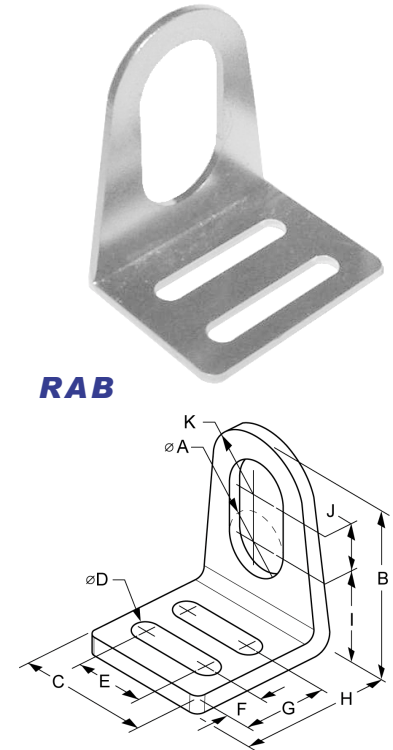
Features

- Multi-slotted or limited adjustability models
- Brackets are sized proportionally to sensor
- Zinc-plated CRS or 303 stainless steel

Benefits

- Eliminate design hassles, source from our stock
- Easy to use with positioning flexibility
- Industry standard mounting footprints

Model	A	B	C	D	E	F	G	H	I	J	K	
RAB-08	8.10 (.319)	25.4 (1.00)	31.8 (1.25)	5.54 (.218)	15.9 (.625)	7.14 (.281)	19.0 (.749)	31.8 (1.25)	9.83 (.387)	7.62 (.300)	7.95 (.313)	
RAB-12	12.1 (.476)	38.1 (1.50)	38.1 (1.50)		19.1 (.750)	7.92 (.312)	22.2 (.875)	34.8 (1.37)	14.0 (.550)	12.7 (.500)	11.4 (.450)	
RAB-16	16.1 (.634)				16.3 (.642)				8.10 (.319)			
RAB-18	18.1 (.713)	50.8 (2.00)	44.5 (1.75)		17.4 (.685)				15.9 (.625)	15.9 (.625)		
RAB-22	22.1 (.870)				23.0 (.907)				17.5 (.690)			
RAB-24	24.1 (.949)				9.90 (.390)				17.5 (.689)			
RAB-30	30.1 (.319)	63.5 (2.50)	57.2 (2.25)	7.13 (.281)	34.8 (1.37)				10.3 (.406)	30.9 (1.22)	44.5 (1.75)	19.1 (.750)
RAB-36	36.1 (.319)				32.0 (1.25)	6.40 (.252)	23.9 (.941)					
RAB-47	47.1 (.319)	88.9 (3.50)	63.5 (2.50)		38.1 (1.50)	12.7 (.500)	34.9 (1.38)	50.8 (2.00)	38.1 (1.50)	19.1 (.750)	31.8 (1.25)	
Notes	1) Dimensions are in mm(inch). 2) Models listed are zinc-plated carbon steel. For 303 stainless steel add "SS" after each model number, for example; RAB-12-SS. 3) Material thickness on 8-24mm models is 1.78(.070), 30 and 36mm is 2.16(.095) and 47mm is 3.05(.120). 4) SoftNoze will gladly design, quote and or stock your custom requirements.											



Model	A	B	C	D	E	F	G	H	Notes
AB-12	12.1 (.476)	28.6 (1.13)	31.8 (1.25)	5.50 (.216)	19.1 (.750)	11.9 (.470)	25.4 (1.00)	13.5 (.530)	1) Dimensions mm(inch). 2) Material is 303 stainless steel. 3) Material thickness for all models is 3.00(.118). 4) SoftNoze will gladly design, quote and or stock your custom bracket requirements.
AB-16	16.1 (.634)								
AB-18	18.1 (.713)								
AB-22	22.1 (.870)	38.5 (1.52)	38.1 (1.50)	6.12 (.241)	25.4 (1.00)	7.37 (.290)	25.4 (1.00)	19.8 (.781)	
AB-24	24.1 (.949)								
AB-30	30.1 (1.18)								
AB-36	36.1 (1.42)	54.3 (2.14)	50.8 (2.00)	7.92 (.312)	31.8 (1.25)	9.53 (.375)	38.0 (1.50)	28.6 (1.13)	
AB-47	47.1 (1.85)	70.0 (2.76)	63.5 (2.50)	10.0 (.394)	38.1 (1.50)	14.5 (.570)	38.0 (1.50)	38.1 (1.50)	

