

Articulating-style Universal Brackets

Articulating-style Universal Bracket

Aiming is important when setting up ultrasonic and photoelectric sensors. These brackets provide secure mounting and flexible aiming in one or two directions. Call factory when applications and/or sensors require a different configuration, SoftNoze makes customs!

Features

- Rugged Steel Construction
- 1 or 2 Axis of Adjustment
- Accepts Additional Brackets

Benefits

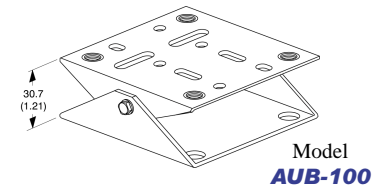
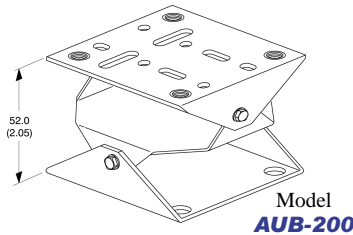
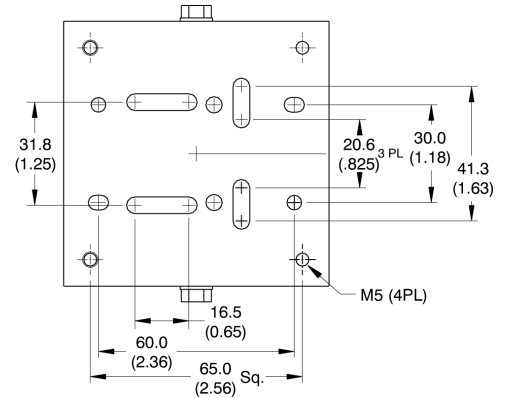
- Easy Installation and Setup
- Secure Mounting
- Save Money/Use a Stock Mount



Secure mounting and flexible aiming for block-style ultrasonic sensors, as well as numerous types of sensors and switches (AUB-200 shown).

Note: attach a bracket from pages 10, 14 or 15 to the AUB-type mounts to also accommodate tubular sensors.

Specifications: Bolt pattern shown at right is for sensor mounting. The footprint of each AUB bracket provides four 7mm diameter clearance holes (not shown at right) for mounting the AUB, these 7mm holes are 65mm apart like the tapped M5(4PL).

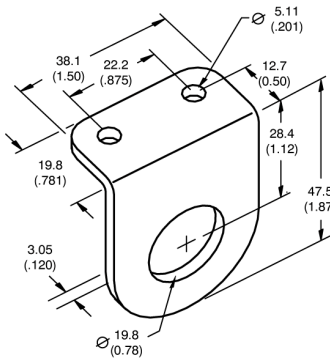


Fiber-optic Mounting System™

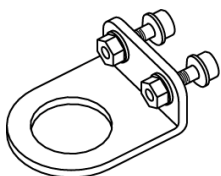
Use the components below along with our CUB and SMS components (pages 28 to 33) to position and secure fiber optic cables as shown at the right, as well as into other configurations. Customs components are available.

Fiber-optic bracket for CUB™ mounting

Model Number:
FMS-CUB

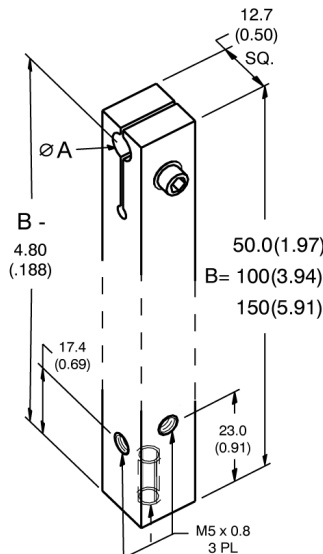
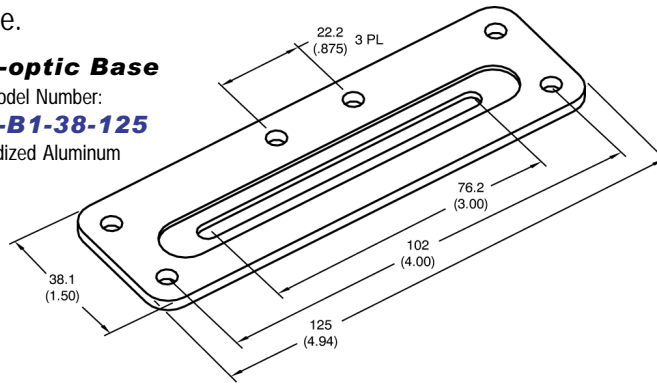


Model FO-CUB ships complete with all required fasteners to attach a Fiber Optic Base unit (all stainless steel):



Fiber-optic Base

Model Number:
FMS-B1-38-125
Anodized Aluminum



Fiber-optic Post See model number tree and call factory to mount different diameter fibers and other customizations.

Here are a few mounting ideas:

