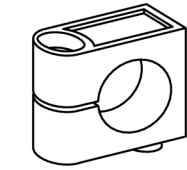
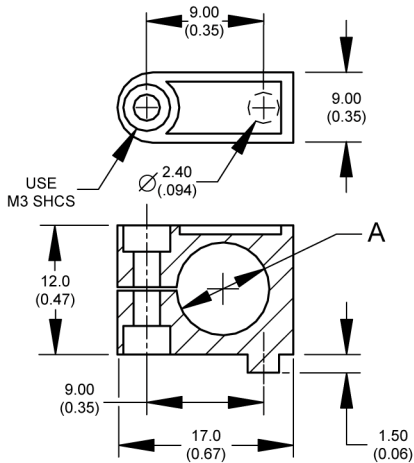
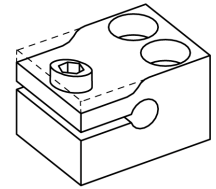
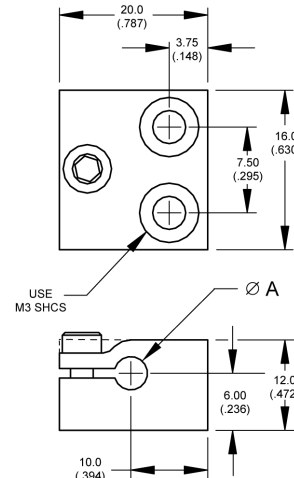


Miniature Sensor Mounts



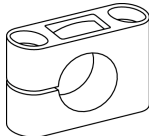
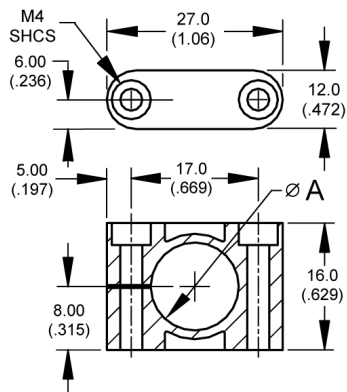
Block Mount Plastic Slotted

Model	A
BM-PS-04	4mm
BM-PS-05	5mm



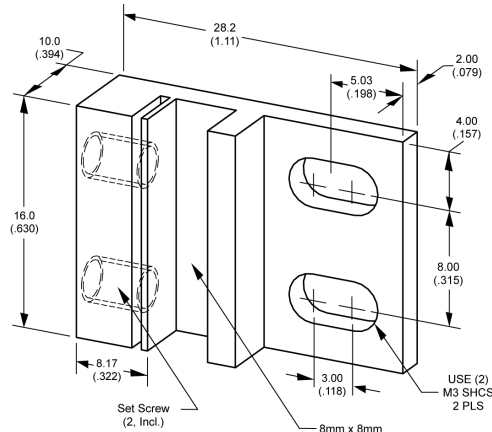
Block Mount Metal Slotted Micro

Model	A
BM-MSM-04	4mm
BM-MSM-6.5	6.5mm
BM-MSM-08	8mm



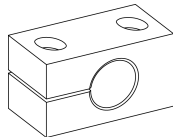
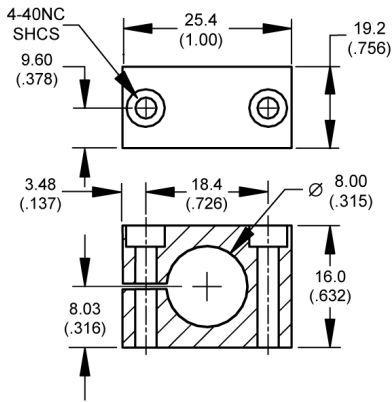
Block Mount Plastic Slotted Glass-filled Nylon

Model	A
BM-PS-6.5	6.5mm
BM-PS-08	8mm



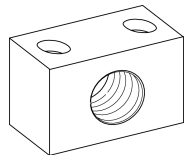
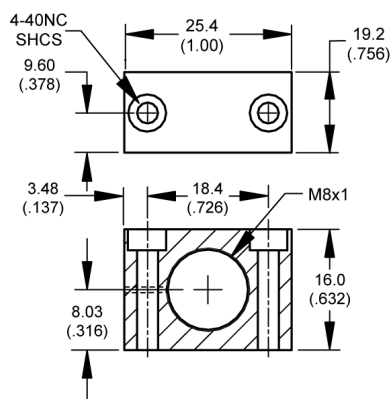
Block Mount Micro-type 1

Model
BM-M1-08
Notes
For 8mm x 8mm square body proximity sensors. Anodized Aluminum. Other models upon request.



Block Mount Metal Slotted Anodized Aluminum

Model
BM-MS-08

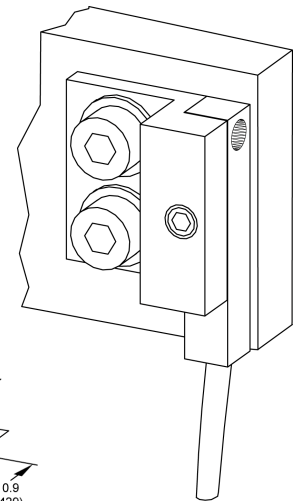
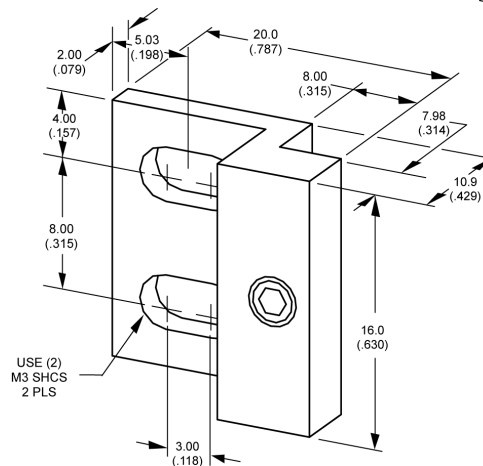


Block Mount Metal Threaded Anodized Aluminum

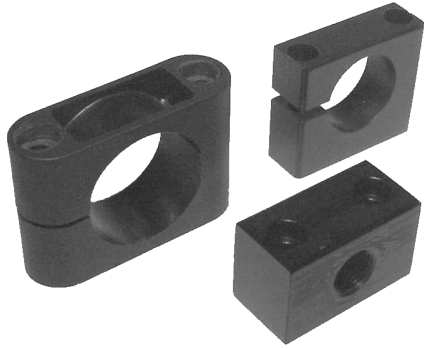
Model
BM-MT-08

BlockMount Micro-type2 Anodized Aluminum

Model
BM-M2-08
Notes
For 8mm x 8mm square body proximity sensors. Anodized Aluminum. Other models upon request.



Block Mounts



Block Style Mounts - For every application

Select from metal or plastic, threaded or slotted. Slotted types clamp-down to secure sensor via one of the mounting fasteners and allow easy adjustment. More rugged mounting is accomplished using a metal, threaded, mount.

Features

- Four different styles
- Sizes for most tubular sensor diameters
- Anodized aluminum or glass-filled nylon

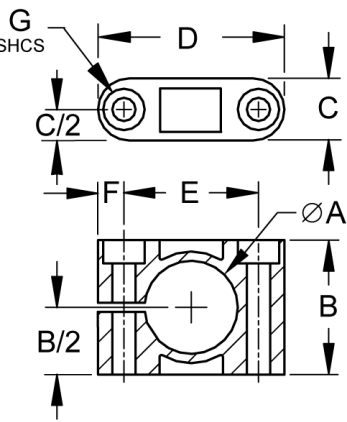
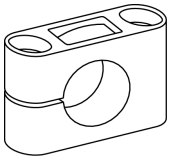
Benefits

- Off-the-shelf mounting solution
- Secure attachment methods
- Easy installation

Plastic Slotted

PS type

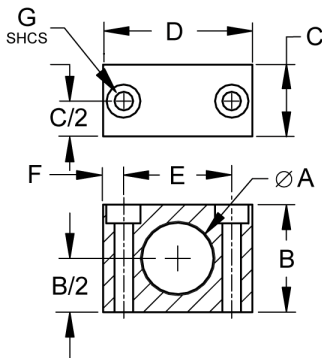
Glass-filled Nylon



Plastic Threaded

PT type

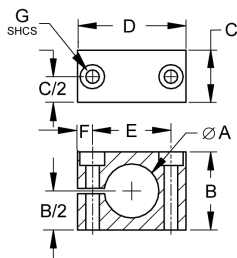
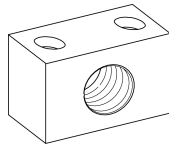
Delrin®, stainless steel mounting hardware included



Metal Threaded

MT type

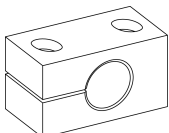
Anodized aluminum



Metal Slotted

MS type

Anodized aluminum



Model	A	B	C	D	E	F	G
BM-PS-12	12.0 (.472)	20.0 (.787)	12.0 (.472)	32.0 (1.25)	22.0 (.866)	5.00 (.197)	FOR M4 SOCKET HEAD CAP SCREW
BM-PS-16	16.0 (.630)	26.0 (1.02)		36.0 (1.42)	26.0 (1.02)		
BM-PS-18	18.0 (.709)						
BM-PS-20	20.0 (.787)	30.0 (1.18)	15.0 (.590)	45.0 (1.79)	32.0 (1.26)	6.50 (.256)	M5 SOCKET HEAD CAP SCREW
BM-PS-22	22.0 (.866)						
BM-PS-30	30.0 (1.18)	38.0 (1.50)	18.0 (.709)	55.0 (2.17)	42.0 (1.65)		
BM-PS-36	36.0 (1.42)	44.0 (1.73)		61.0 (2.40)	48.0 (1.89)		
BM-PT-12	M12 x 1	23.0 (.910)	11.0 (.440)	32.0 (1.26)	19.6 (.770)	6.20 (.240)	(2)10- 32x2"
BM-PT-18	M18 x 1	29.3 (1.15)	16.0 (.630)	45.8 (1.80)	30.5 (1.20)	7.60 (.300)	(2)10- 32x2"
BM-MT-12	M12 x 1	25.4 (1.00)	19.2 (.758)	38.1 (1.50)	25.0 (.980)	6.60 (.260)	10-32 SHCS
BM-MT-18	M18 x 1	31.8 (1.25)	25.4 (1.00)	38.1 (1.50)	30.7 (1.21)	3.70 (.145)	8-32 SHCS
BM-MT-30	M30 x 1.5	50.8 (2.00)	33.1 (1.30)	63.5 (2.50)	51.6 (2.03)	5.97 (.235)	1/4 SHCS
BM-MS-12	12.0 (.472)	25.4 (1.00)	19.2 (.758)	38.1 (1.50)	25.0 (.980)	6.60 (.260)	10-32 SHCS
BM-MS-18	18.0 (.709)	31.8 (1.25)	25.4 (1.00)	38.1 (1.50)	30.7 (1.21)	3.70 (.145)	8-32 SHCS
BM-MS-30	30.0 (1.18)	50.8 (2.00)	33.1 (1.30)	63.5 (2.50)	51.6 (2.03)	5.97 (.235)	1/4 SHCS