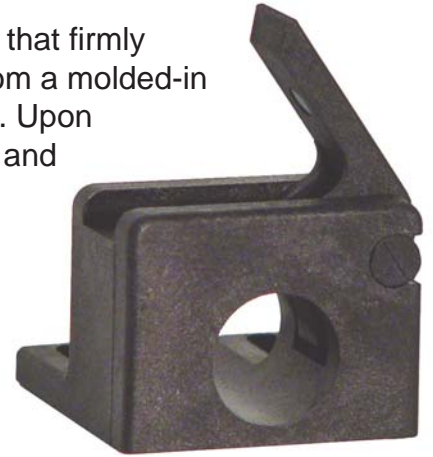


Economical Quick Mounting

Install and remove barrel-style sensors with easy-lift lever

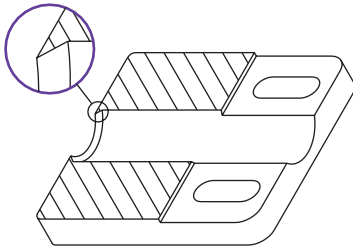
Single piece, all plastic, block mount has a two-stage "DualClamp" lever that firmly secures sensors with finger tip ease. A second "quick" feature comes from a molded-in stop shoulder that remembers the sensor's position relative to the target. Upon re-installation no guesswork is required, just slide in sensor until it stops and snap the lever closed. Glass-filled Nylon for rugged mounting and two slots provide for adjustment as shown below. Now available for 12 and 18mm diameter controls.



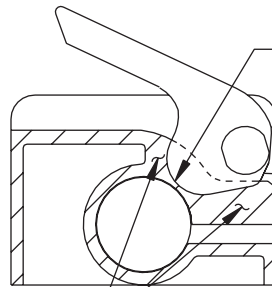
Designed-in Features

A) Fixed Stop B) Dual Clamping and C) Adjustment Slots

(A) Once positioned, mount's molded-in stop shoulder maintains the sensor's position relative to the target(s)



(B) Two level lobes engage sensor barrel, (one shown)

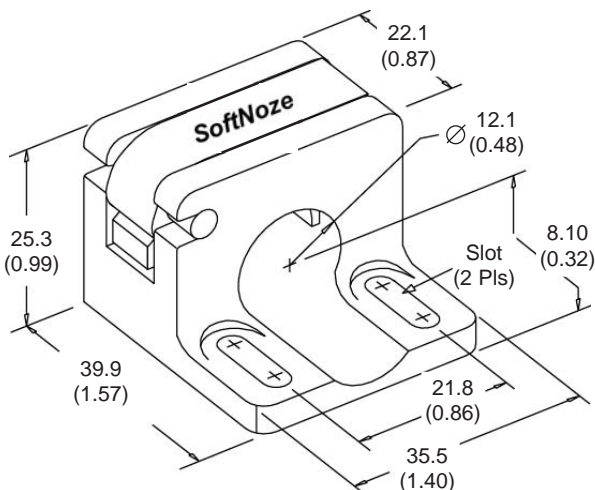


(B) Heavy, flexing beam, engages sensor barrel as lever closes. Combined with lobes on lever high pull-out resistance is achieved with easy finger tip actuation

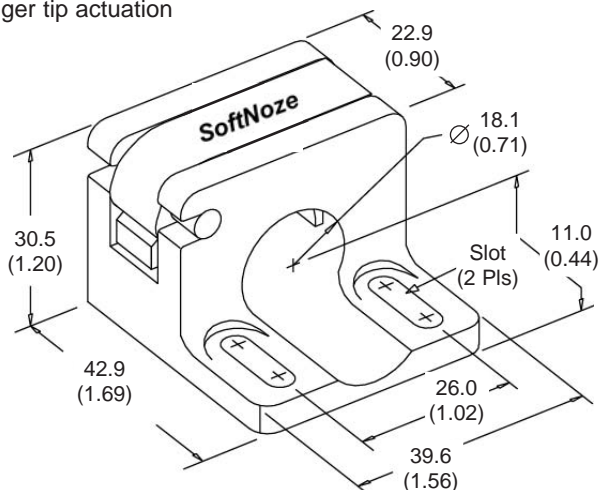
(C) Two slots accept fasteners and allow adjustment

Block Mount QuickMount

Plastic block-style mounts offer quick change, secure, mounting for 12 and 18mm diameter controls



BM-DC-12 - for 12mm controls
mounts with (2) M4 or #8 fasteners



BM-DC-18 - for 18mm controls
mounts with (2) M5 or #10 fasteners

Contact your Automation Distributor today. Or call SoftNoze now, at (315)732-2726, for these and other proven Integration Components.