



Convert standard, threaded barrel, shielded proximity sensors into mechanical limit switches & probes.

Compact in size, the ShortSTOP™ quickly threads onto shielded, M8x1 or M12x1, inductive sensors. Pick from five Operators and four Housing styles for flexible object detection.

Connected: Shown at right, the model **PSS-HX08-P** Proxtr^ol ShortSTOP is connected to a standard range, shielded style, M8x1 inductive proximity sensor. Use the same non-contact sensor installed elsewhere on your equipment to solve applications that require a precise, mechanical, solution.



Features

- Compact, robust, design
- Uses standard shielded M8x1 or M12x1 sensors
- Metal or plastic spring-loaded Operators
- Wide variety of styles and sizes

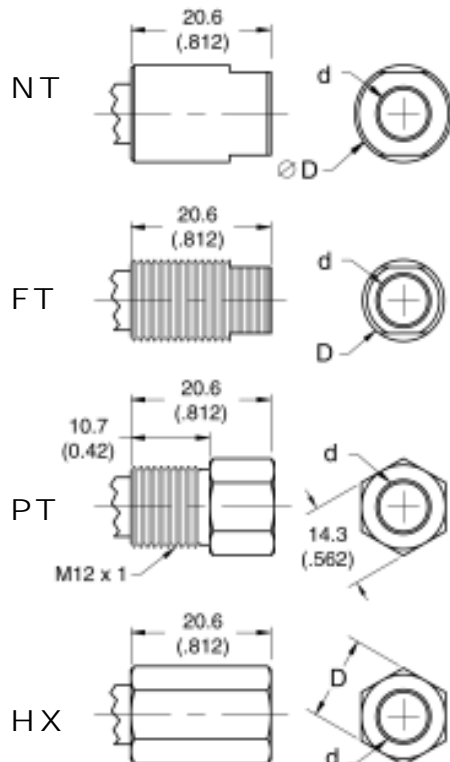
Benefits

- Accurate & compact object detection
- Rapid installation and easy adjustments
- Offers new control options using stock sensors
- Reliable, solid-state/electronic, sensing

Design selection Dimensions are in mm(inch). Please select a Housing per the figures below at left and the Housing chart. Next, choose an Operator (actuator) to fit your application. The next page offers additional Operators, or consult us for modifications and customs.

Housings Four styles: Non-threaded (NT), Fully Threaded (FT), Partially Threaded (PT), or Hex (HX). Material; 304 stainless steel. Add a size code "12" for M12x1, or "08" for M8x1, sensors.

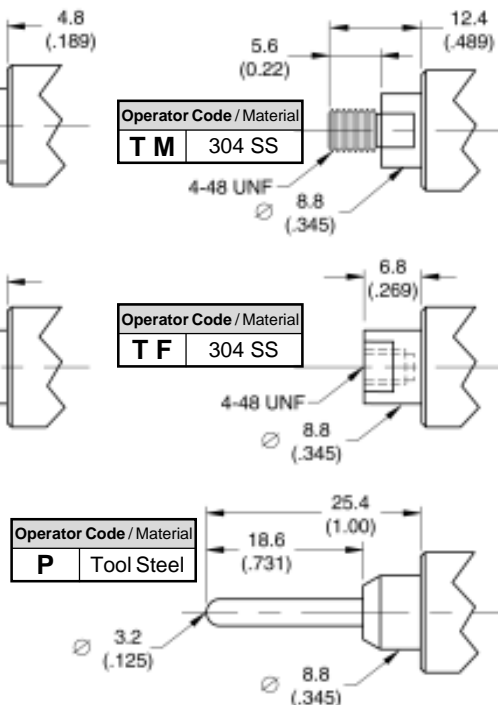
Operators Five operator styles: Flat (F)&(F-D), Threaded Male (TM), Round (R)&(R-D), Threaded Female (TF), Probe (P). Travel (or stroke) of all operators is 2.03mm (.080"). Spring force at full stroke is equal to 283g (10.0oz). Please see next page for additional Operator options.



Operator Code / Material	
F	304 SS
F-D	Delrin

Operator Code / Material	
R	304 SS
R-D	Delrin

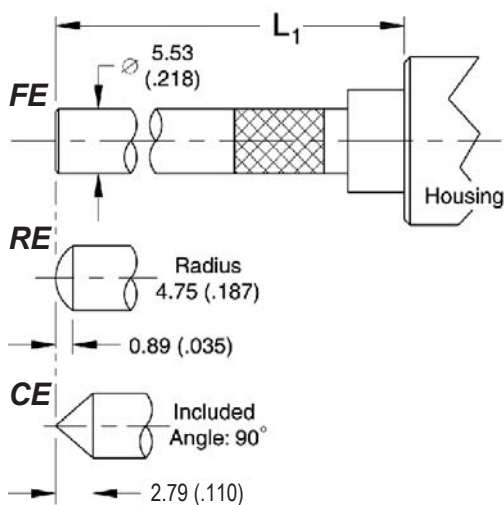
Housing	Sensor(d)	D
NT	M8 x 1	12.7 (0.50)
	M12x1	15.9 (.625)
FT	M8 x 1	M12x1
	M12x1	M18x1
PT	M8 x 1	14.3 (.562)
	M12x1	14.3 (.562)
HX	M8 x 1	11.1 (.437)
	M12x1	14.3 (.562)



To create model numbers:

PSS - Housing Code Sensor Code - Operator Code, for example: **PSS - HX 08 - R-D**

Extend the ShortSTOP's reach, versatility, and your detection options. Six Operator styles in various lengths allow detection of a wide variety of targets, target details, and also in very tight spaces. Please select from the following Operators to configure a ShortSTOP™: **FE** Flat Extension, **RE** Radius Extension, **CE** Cone Extension, **NE** Needle Extension, **NE2** Needle Extension 2, and **BE** Ball Extension. Dimensions are in mm(inch).



Operator Code	L ₁
... FE-13.2	13.2 (0.52)
... FE-16.4	16.4 (0.64)
... FE-19.5	19.5 (0.77)
... RE-12.5	12.5 (0.49)
... RE-16.9	16.9 (0.66)
... RE-22.7	22.7 (0.89)
... CE-19.5	19.5 (0.77)
... CE-22.7	22.7 (0.89)
... CE-25.9	25.9 (1.02)

FE, RE & CE Operator Options

Select the desired code using chart and drawing at left.



As an example, a complete model would be:

PSS - NT12 - FE - 13.2

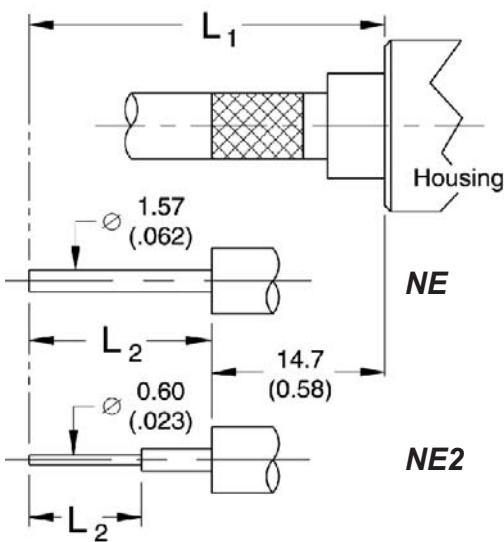
Proxtrol ShortSTOP, Non-threaded Housing for M12x1 shielded sensor, Flat Extension operator with L₁ equal to 13.2mm.

NE & NE2 Operator Extensions

Model number example, per below left photo:

PSS - FT12 - NE2 - 27.4

This represents a Fully Threaded Housing for a M12x1 shielded proximity sensor, NE2 Operator (with 0.60mm tip diameter) and overall length L₁ of 27.4mm(1.08"). Other lengths and dimensions are possible, please consult factory.



PSS-FT12-NE2-27.4

Code	L ₁	L ₂
NE-31.5	31.5 (1.24)	16.7 (0.66)
NE2-27.4	27.4 (1.08)	3.05 (0.12)

BE Operator Extensions

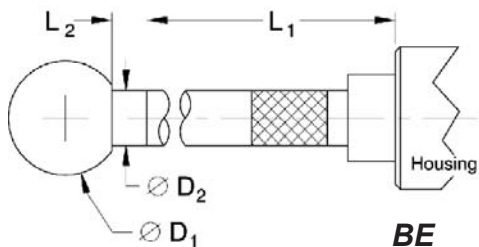
First, select the desired ball diameter from the D₁, D₂ & L₂ chart specifications. Next, select an extension length from the L₁ specification chart. Then using the two resulting codes, create the complete model number. For example:

PSS - HX12 - BE - 6.35 - 19.5

This is a Hex-style Housing for a M12x1 shielded style sensor, having a 1/4" Ball that measures 19.5mm long.

Length Code	L ₁
6.83	6.83 (.269)
13.2	13.2 (0.52)
19.5	19.5 (0.77)
25.9	25.9 (1.02)
32.2	32.2 (1.27)
38.6	38.6 (1.52)
44.9	44.9 (1.77)

Ball Dia Code	D ₁	D ₂	L ₂
BE-3.17	3.17 (.125)	4.76 (.187)	6.35 (.250)
BE-4.76	4.76 (.187)		
BE-6.35	6.35 (.250)	5.54 (.218)	7.92 (.312)
BE-9.52	9.52 (.375)	6.35 (.250)	
BE-12.7	12.7 (0.50)		9.52 (.375)



BE Operators & Extensions
Combine for flexible target detection & control options.