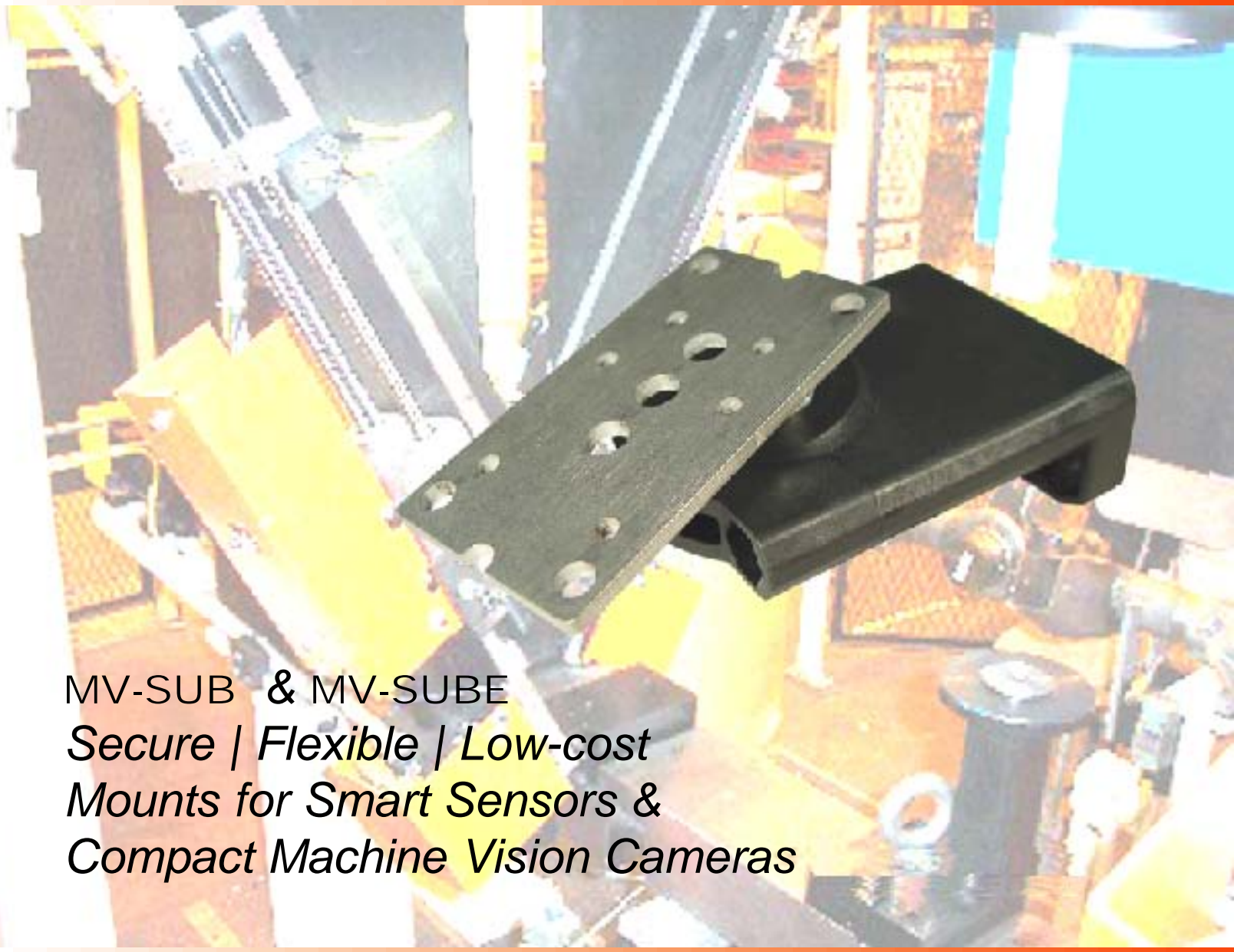


Camera, Set, Action...

... but first, economically mount them!



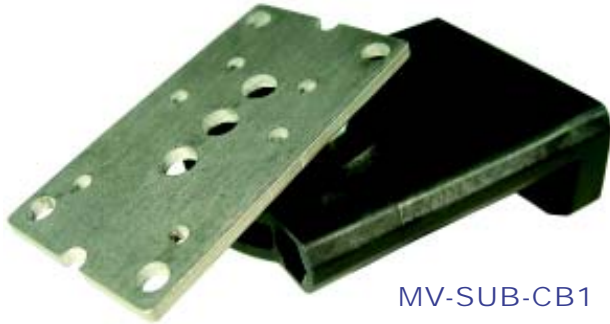
MV-SUB & MV-SUBE
*Secure | Flexible | Low-cost
Mounts for Smart Sensors &
Compact Machine Vision Cameras*

Machine Vision & Smart Sensor Mounts

Hundreds of companies and thousands of models...

As you select your smart sensors and compact machine vision cameras, look to SoftNoze for off-the-shelf components to Mount, Apply, Position & Protect them. Listed below are just a few mounts that you can design with off-the-shelf. We help to make projects go faster, look better and give your clients the very best results and long-term performance.

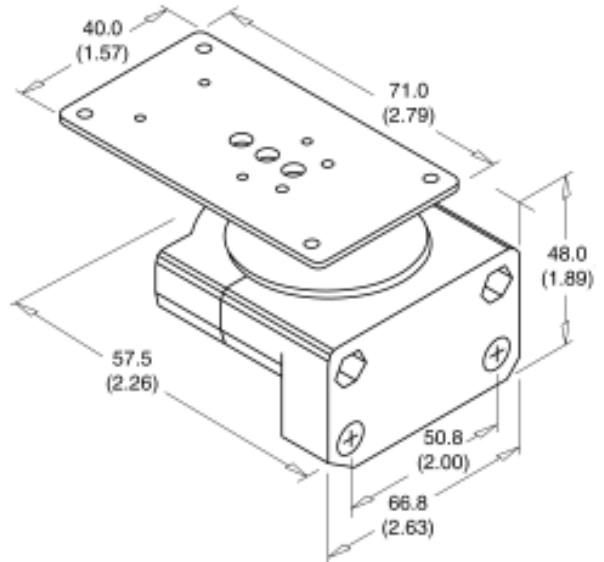
Regardless of form factor or application, SoftNoze will work to make your applications successful. Please contact us with questions or additional data, or talk with your High Tech Automation Distributor today.



MV-SUB-CB1

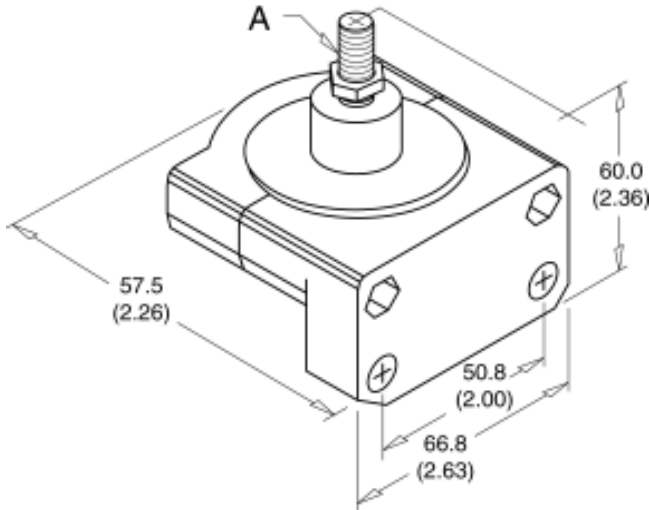
MV-SUB-CB1

Machine Vision **SUB™** style mount, with the CB1 Combination Bracket aims and secures popular Cognex, Keyence, Balluff, Banner, Baumer, as well as many other leading cameras and smart sensors...



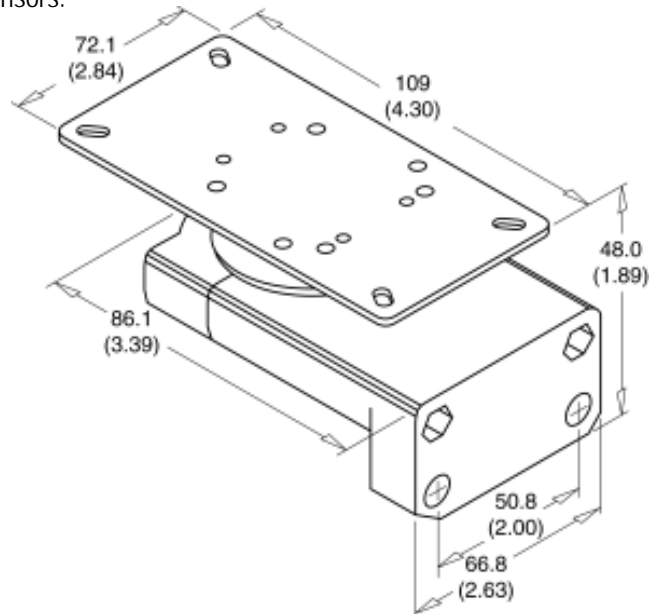
MV-SUB-TE...

Machine Vision **SUB™** style mount, with Threaded End ("A"), please specify MV-SUB-TE1 for 1/4"-20 or MV-SUB-TE2 for the M6x1 thread (lock nut supplied). Other models available, please call for additional specifications.



MV-SUBE-CB2

Machine Vision **SUB™**, Extended base mount with Combination Bracket CB2, aims and secures larger form factor cameras and smart sensors.





SoftNoze USA Inc
2216 Broad Street
Frankfort, NY 13340 U.S.A.
Tel. (315)732-2726
Fax (315)732-2963
info@softnoze.com



WORLD LEADER IN SENSOR INTEGRATION COMPONENTS™
Mount | Apply | Position | Protect™

Integration Solutions for:

Machine Vision
Inductive
Photoelectric
Capacitive
Ultrasonic
Laser
Fiber-optic
Encoders
Limit Switch
Transducers
Thermocouples
RFID