

# Proxtrol™ Limit Switches (PLS)



PLS-1 type  
Full Size



PLS-M type  
Mini DIN

**Let the controlling begin, with a new solid state switching alternative** Now you can design control systems with the conventional simplicity of limit switches, while also taking advantage of commonly proximity sensor technology. Together, with our Proxtrol™ Limit Switch and your favorite prox, you'll now have the best of both worlds. Simply thread your prox into a Proxtrol™ Limit Switch and let the controlling begin!



PLS1 type  
Full Size

PLSM type  
Mini DIN



## Features

- Accepts any shielded 12mm proximity sensor
- Thermoplastic polyester housings
- Wide selection of operating heads
- Meets worldwide dimension standards

## Benefits

- Solid state switching - no electric contacts
- Directly replaces traditional limit switches
- Create "network-ready" limit switches
- No wiring, simply thread-in your prox



Proxtrol™  
Limit Switch

**Plus**

Your 12mm  
Prox Sensor

- Patent Pending -

## Power the Proxtrol™ Limit Switch with your favorite prox!

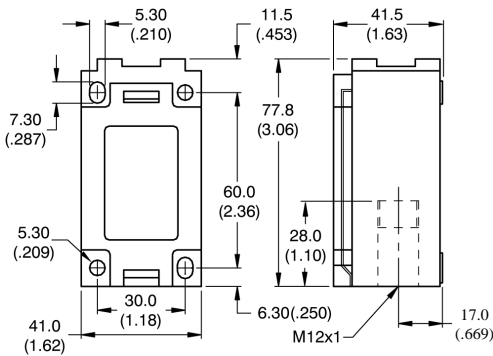
Proximity sensors are everywhere. However, many applications and situations still call for a time-tested limit switch. Or perhaps you simply like limit switch simplicity? Either way, the Proxtrol™ Limit Switch allows you to blend two proven technologies to achieve new control options.

Have you been planning to upgrade to modern solid state sensing technology, but concerned with the necessary considerations required with non-contact sensors? Set your concerns aside and make the improvements you've been waiting for. No need to redesign, recalculate or reeducate. In fact, you probably already have half the solution (a 12mm prox) in inventory.

When you need a reliable, PLC-friendly input signal, think Proxtrol™ by SoftNoze. The following pages contains our "full size" and "Mini DIN" styles of our expanding line of hybrid limit switches.

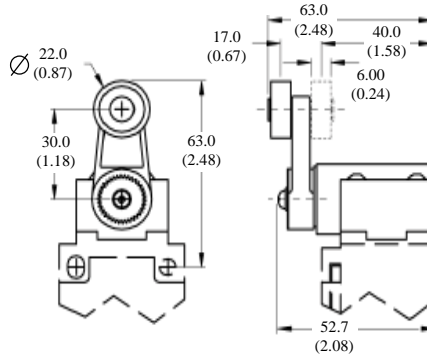
Ready to do more with proximity sensors? Just look to Proxtrol™ from SoftNoze.

**Description-** Each switch consists of a housing and operator head assembly. Purchaser must provide a standard M12 x 1 shielded, tubular proximity sensor. Order Proxtrol™ Limit Switches by specifying model numbers as shown below each operator head below. **Note-** Dimensions of housing and operator heads are shown separately only to save space in this catalog. SoftNoze can modify certain operator heads shown here to your specifications, please call factory.



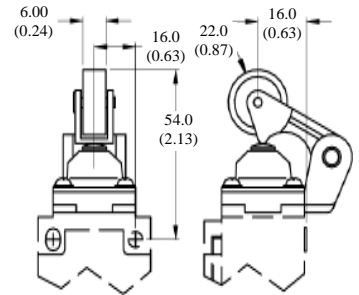
**“PLS-1” Housing**

Model No.: N/A (Not sold separately)



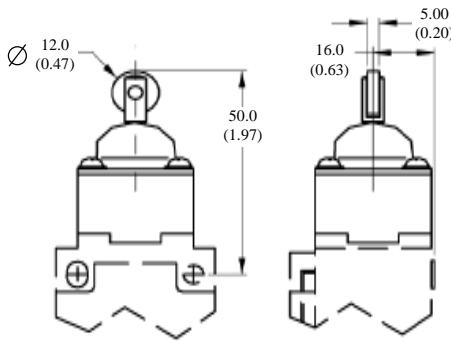
**Side Rotary, Roller Lever**

Model No.: **PLS-1-SRL**



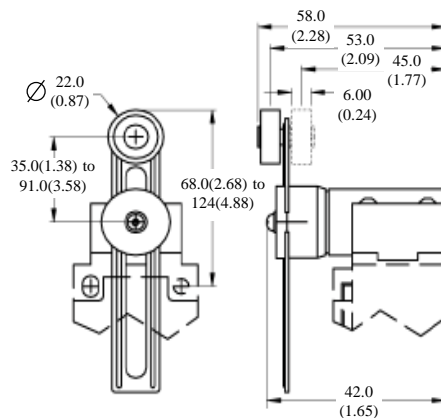
**Top Push, Roller Lever**

Model No.: **PLS-1-TRL**



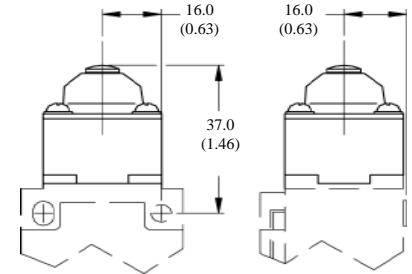
**Top Push, Roller Plunger**

Model No.: **PLS-1-TRP**



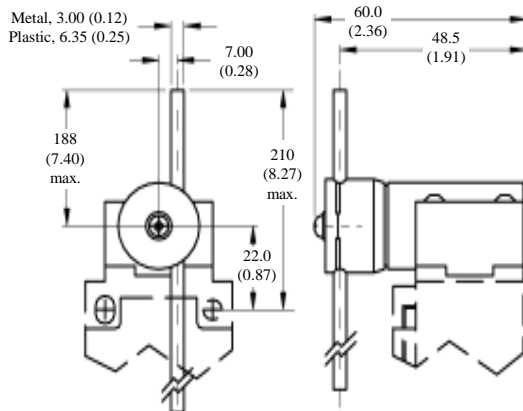
**Side Rotary, Adjustable Roller Lever**

Model No.: **PLS-1-SARL**



**Top Push, Metal Plunger**

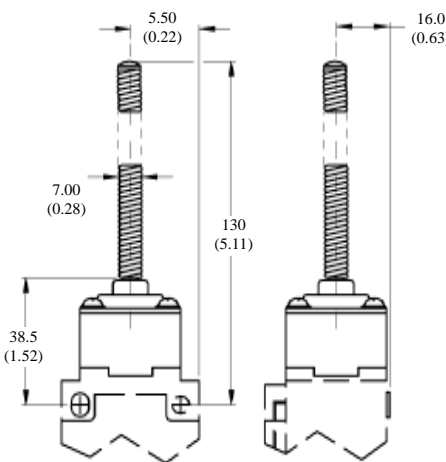
Model No.: **PLS-1-TMP**



**Side Rotary, Metal Rod, PLS-1-SR-MR**

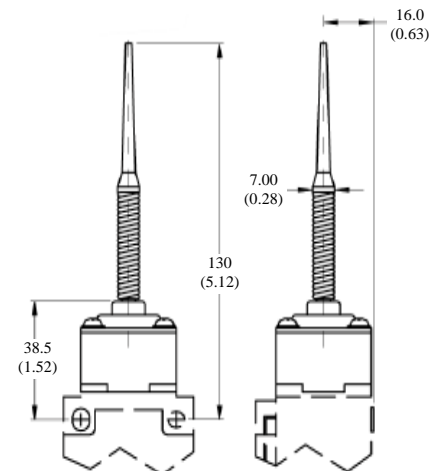
(Two Models)

**Side Rotary, Plastic Rod, PLS-1-SR-PR**



**Top Wobble, Coil Spring**

Model No.: **PLS-1-TCS**



**Top Wobble, Coil Spring with Poly Tip**

Model No.: **PLS-1-TCSPT**